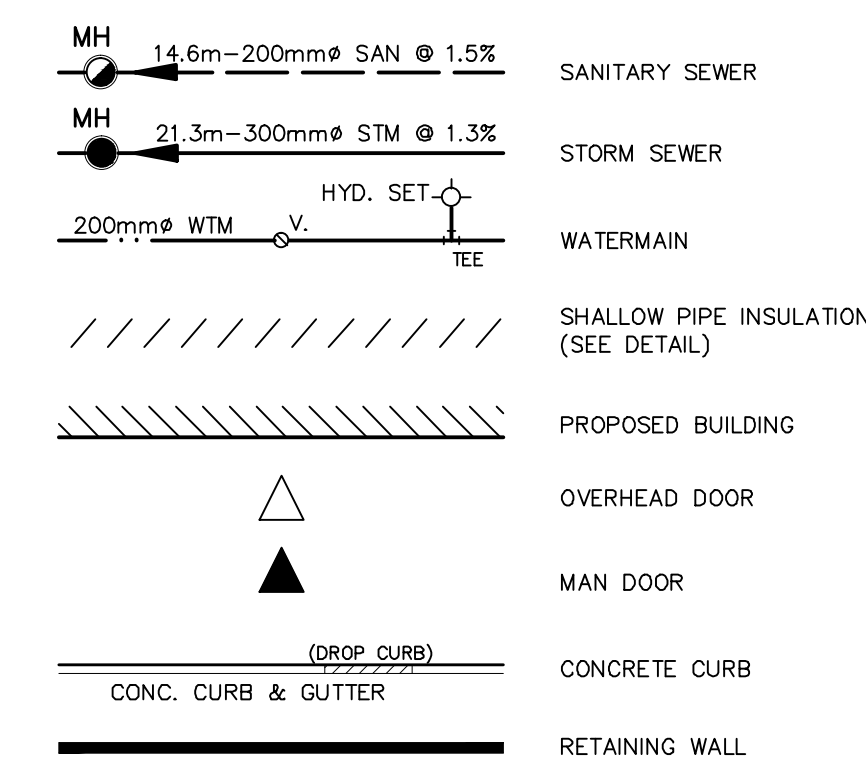
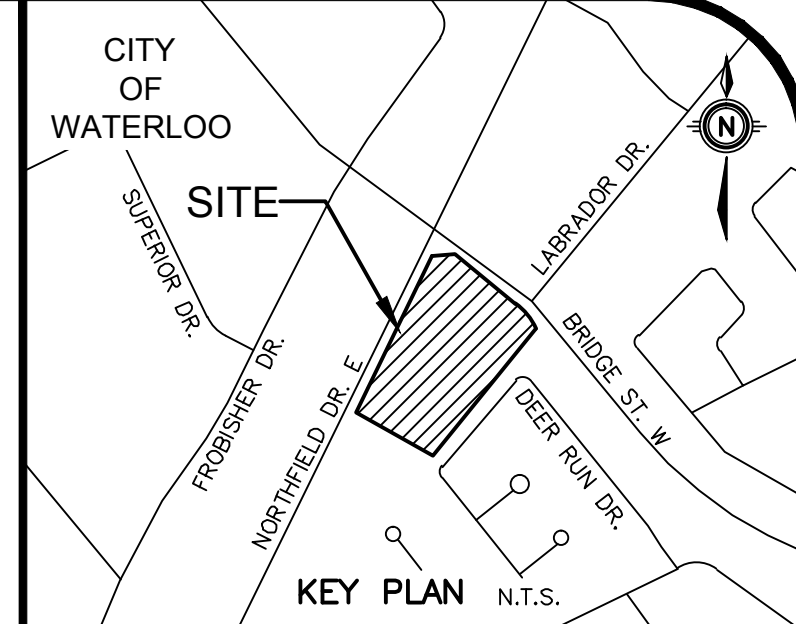
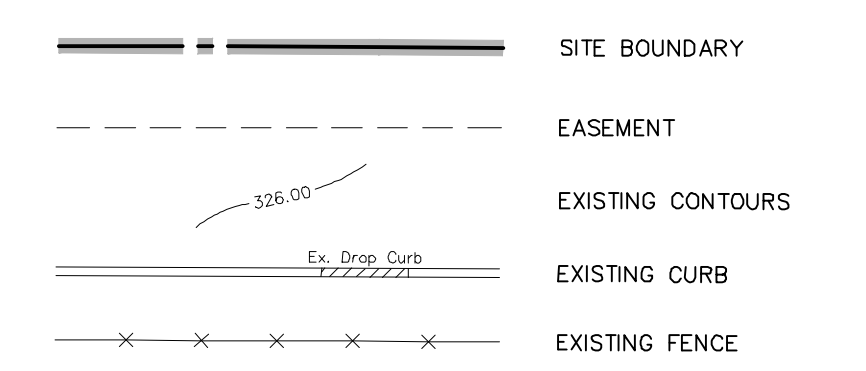


LEGEND OF PROPOSED FEATURES



LEGEND OF EXISTING FEATURES



GEODETTIC BM ELEV. = 336.361m
 WA-79 RMW228 3. CITY OF WATERLOO BRASS CAP SET IN CONCRETE IN NORTHWEST CORNER OF WISSLER RD. AND WESTERLY ARM OF DEER RUN DR. 13.9m NORTHWEST OF CENTRELINE OF WISSLER RD. 9.7m SW OF CENTRELINE OF DEER RUN DR. 0.6m NORTHWEST OF CONCRETE SIDEWALK, 0.53m SW OF CONCRETE SIDEWALK, 5cm ABOVE GROUND LEVEL, STAMPED CITY OF WATERLOO 030-85-0025.

SITE BENCHMARK ELEV. = 337.274m
 SB NORTHWEST OF INTERSECTION OF LABORADOR AND BRIDGE STREET WEST

NOTE TO CONTRACTOR :
 DO NOT SCALE DRAWINGS.
 CONTRACTORS MUST CHECK AND VERIFY ALL DIMENSIONS AND REPORT ANY DISCREPANCIES TO THE ENGINEER BEFORE PROCEEDING WITH THE WORK.
 ALL DRAWINGS REMAIN THE PROPERTY OF THE ENGINEER AND SHALL NOT BE REPRODUCED OR REUSED WITHOUT THE ENGINEER'S WRITTEN PERMISSION.
 THE OWNER/ARCHITECT/CONTRACTOR IS ADVISED THAT M.T.E. CONSULTANTS INC. CANNOT CERTIFY ANY COMPONENT OF THE SITE WORKS NOT INSPECTED DURING CONSTRUCTION. IT IS THE RESPONSIBILITY OF THE GENERAL CONTRACTOR TO NOTIFY M.T.E. CONSULTANTS INC. PRIOR TO COMMENCEMENT OF CONSTRUCTION TO ARRANGE FOR INSPECTION.

NOTE:
 1. PROPERTY LINE INFORMATION TAKEN FROM PLAN PREPARED BY ACI SURVEY CONSULTANTS, DATED MAY 27, 2011.

No.	REVISION	BY	DATE
8.			
7.			
6.			
5.			
4.			
3.			
2.			
1.	ISSUED FOR FUNCTIONAL SUBMISSION	RCK	NOV.08/17

MTE
 Engineers | Scientists | Surveyors
 (519) 743-6500 www.mte85.com

CLIENT
URBAN LEGEND DEVELOPMENTS LTD.
 2-25 ABBEY LANE EXETER
 PROJECT
255 NORTHFIELD DRIVE EAST
 WATERLOO

DRAWING
FUNCTIONAL SERVICING PLAN II

Project Manager	R.KERR	Project No.	34780-500
Design By	CAH	Checked By	RCK
Drawn By	PXL	Checked By	CAH
Surveyed By	RLK	Drawing No.	C2.4
Date	Oct.25/17	Scale	1:300
Sheet	4 of 4		